

Izen Bidet

Izen bidet is a specialized South Korean brand world-renowned for its patented **Enema** function. While other brands focus on basic cleansing or design, Izen is built as a health-focused medical device. It is highly effective for those suffering from chronic constipation, hemorrhoids, or difficulty with bowel movements.

How it works:

It uses a patented nozzle that injects a thin, powerful, and gentle stream of water into the rectum. This helps soften stools and stimulates natural bowel movements.

Medical Certification:

Many Izen models are certified as **medical devices** by the Korean Ministry of Food and Drug Safety.

WaterMark certified and built-in backflow prevention system:

Izen bidet is water mark certified and incorporates an inbuilt air-gap separation system within the unit, in accordance with Australian plumbing requirements. So an additional external RPZ valve is not required for standard residential installation.



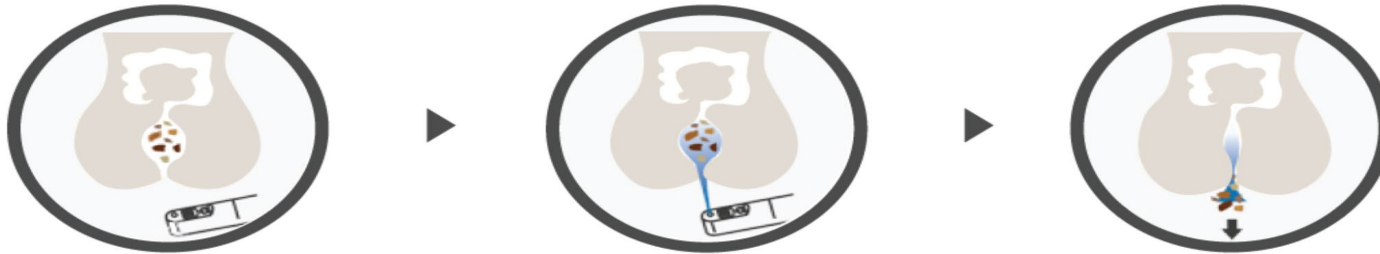
Functions

Enema Wash (Turbo Mode)

Highly concentrated, **non-aerated water stream**
Designed to provide **intestinal relief**

Enema Wash

The aerated soft water stream from the special nozzle cleans the anus effectively as well as can be used to aid defecation. This function is a nonabrasive alternative to laxatives and practical for hemorrhoids relief.



Water Temperature

4-step adjustment: Off / Low / Mid / High (**Room Temperature up to 42°C**)

Heated Seat

Adjustable from **Room Temp to 40°C** , Integrated **safety thermal fuse**



Enhanced Wash Functions

Oscillation Wash :

Nozzle moves back and forth

Wider and more effective cleaning area

Massage Wash:

Pulsating water pressure

Helps stimulate circulation

Beneficial for **hemorrhoid relief**

Comfort & Convenience Features

Warm Air Dryer

Reduces toilet paper use

Automatic Deodorizer

High-efficiency carbon filter

Neutralizes odors automatically

Safety Systems

Occupied Seat Sensor:

Prevents operation unless user is seated

Multiple safety devices:

Thermal Switch, Thermal Fuse, Float Switch
(prevents dry heating)

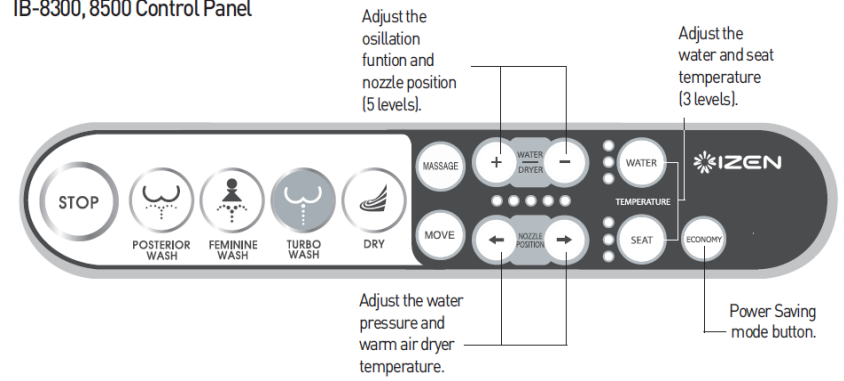
Designed for **clinical-grade safety compliance**



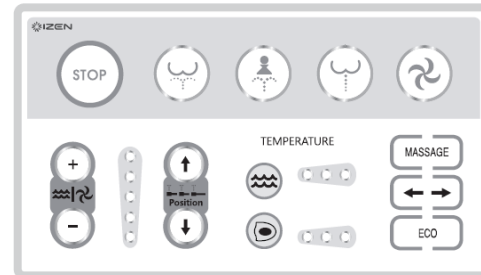
IB8500



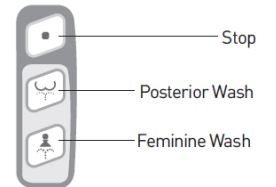
IB-8300, 8500 Control Panel



IB-8500R Remote Control

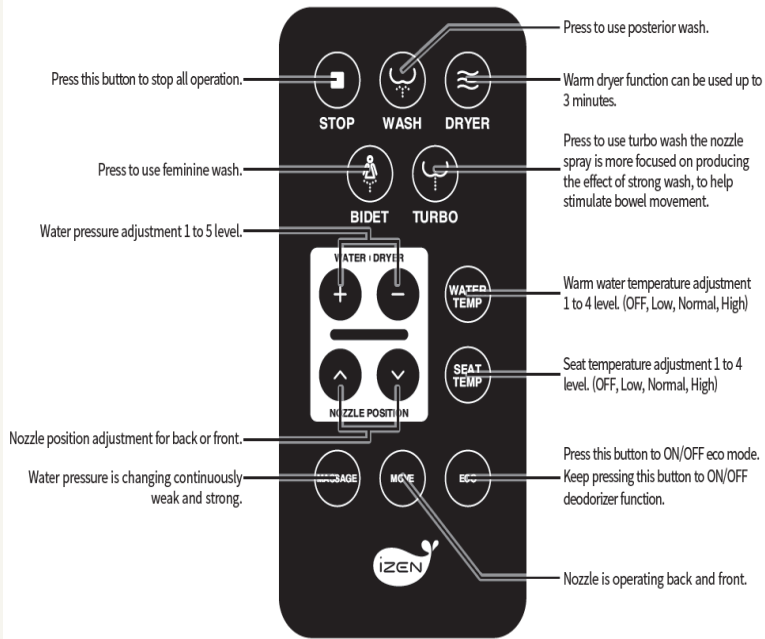


Simple Operation Panel

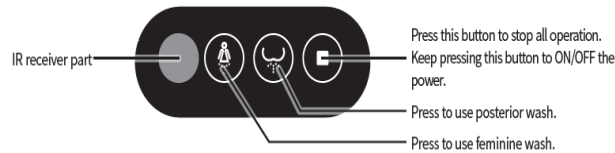


A13

Remote control



Side Control panel – simple key



Side Controller



Remote Controller

Control Types: Remote vs. Side Control

Remote controls are preferred for accessibility (especially with handrails), while side controls offer an all-in-one built-in design.

Type	Remote Control	Side Control
Control Position	Separate wireless remote	Attached to the side of the bidet
Ease of Use	Easier to access and operate	Convenient if side panel is easy to reach
Best For	Users wanting easy access / limited movement	Users who prefer simple built-in controls
Handrail Compatibility	More convenient with handrails	Harder to access if a rail is close
Appearance	Cleaner, minimal look	Control panel is visible on the side
Installation	Need a place to mount the remote	No wall mounting needed

IB8500 vs. A13

The IB8500 is better for stronger washing performance, while the A13 is ideal for customers who prefer a modern design and touch-style controls.

Feature	IB8500	A13
Water Pressure	Stronger	Slightly softer
Cleaning Feel	Deeper, stronger wash	About 80% of IB8500
Design	Classic	More modern
Controls	Standard style	Touch-style UI
Best For	Stronger cleansing	Modern design and interface



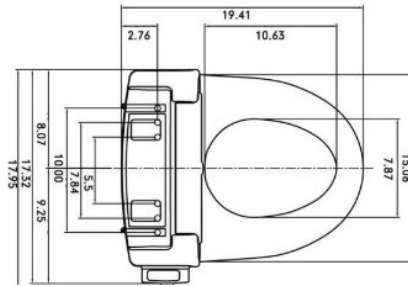
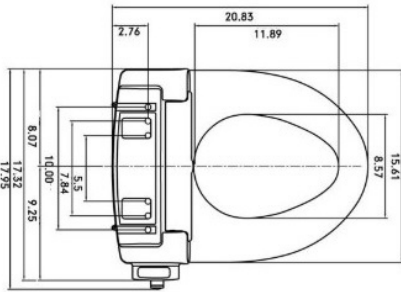
Toilet Shape: Round vs. Elongated

Type	Shape & Length	Measurement Guide (Seat bolt holes to front)	IB8500 Remote Size	A13 Remote Size
Round	Shorter, rounded front (More compact seating)	Approx. 16.5 inches	475 × 493 × 185 mm	419 × 505 × 177 mm
Elongated	Longer, oval front (Spacious seating)	Approx. 18.5 inches	475 × 525 × 185 mm	419 × 540 × 177 mm

If the measurement from the front of the tank to the front edge of the bowl is ~53 cm or more, it is usually Elongated. If shorter, it is usually Round.



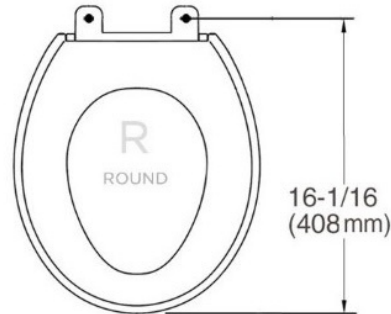
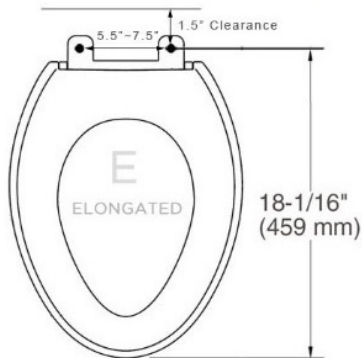
Toilet Shape: Round vs. Elongated



Toilet References.

Toilet Seat Measurements Guide, Elongated vs. Round

Elongated seat is oval shaped seats which is about 2" longer than a round bowl and often found to be more comfortable but in small bathroom, a round bowl can save space.



TOILET SIZE GUIDE



Elongated

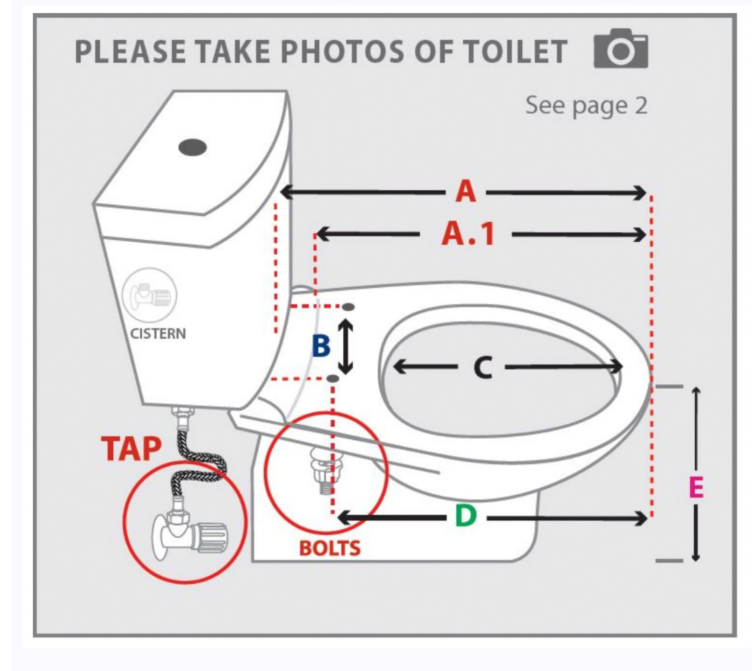


Round



Installation Requirements

Item	What We Need	Notes
A Measurement	Front of tank to front edge of bowl	Checks Round vs. Elongated
Top View Photo	Photo from above, lid open	Confirms toilet shape
Side View Photo	Photo from the side	Checks fitting and overhang
Bolt Hole Photo	Clear photo of seat bolt hole area	Checks bracket position & spacer fixing
Plumbing Photo	Shows water outlet (beside toilet/cistern)	Confirms installation method
Power Point Photo	Nearest power point to the toilet	Confirms electrical access
Distance	Power point to toilet	Checks if extension is needed
Extra Details	Rails, spacer, raised seat, tight spaces	Checks for fitting issues



Important Installation Points

Spacer Limitations: In some cases, the bidet can be installed on its own, but not together with a spacer.

Square Toilets: Square-shaped toilets are often difficult to install with a spacer because the contact area may not be stable enough.

Compatibility Check: It is important to confirm that the combination is suitable (e.g., round bidet + round spacer + compatible handrail).

Handrail Consideration: When a handrail is installed, a remote-control bidet is often much more convenient to use.

